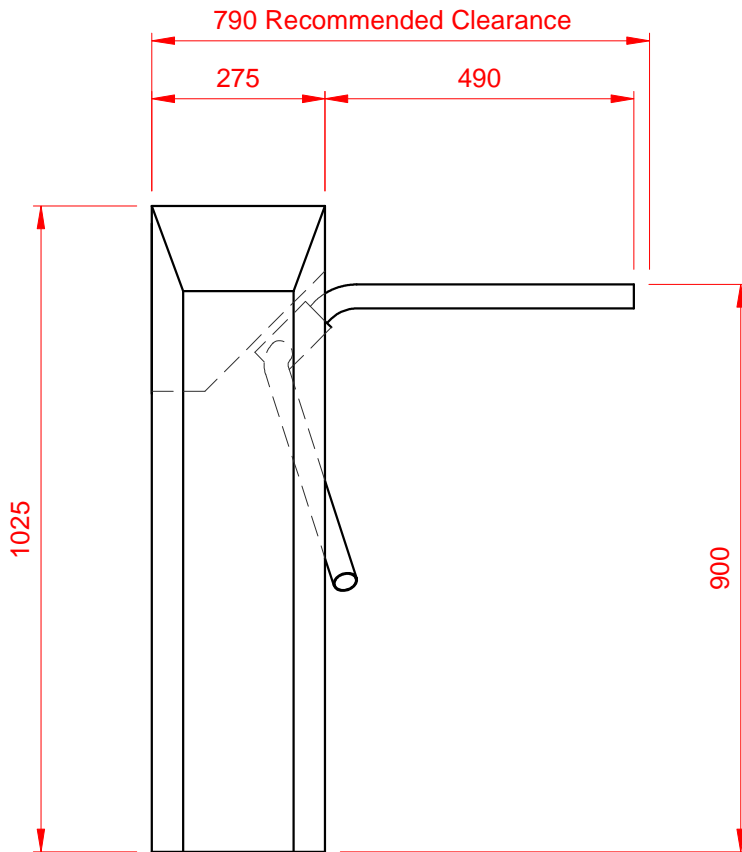
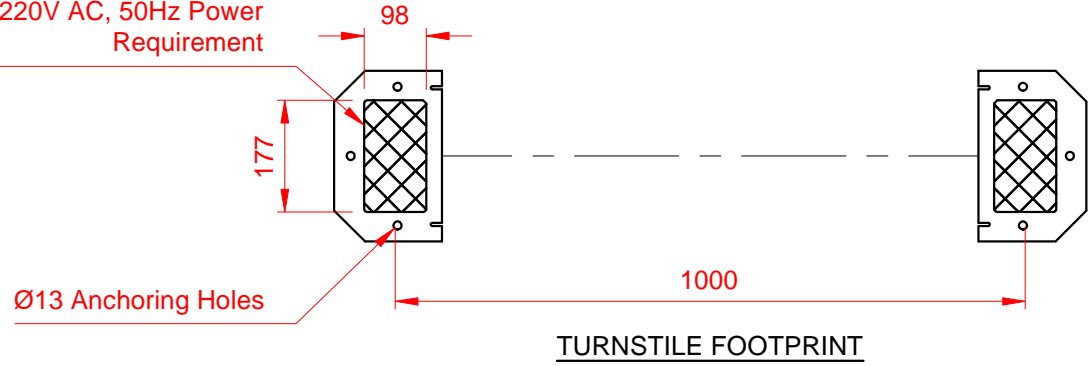
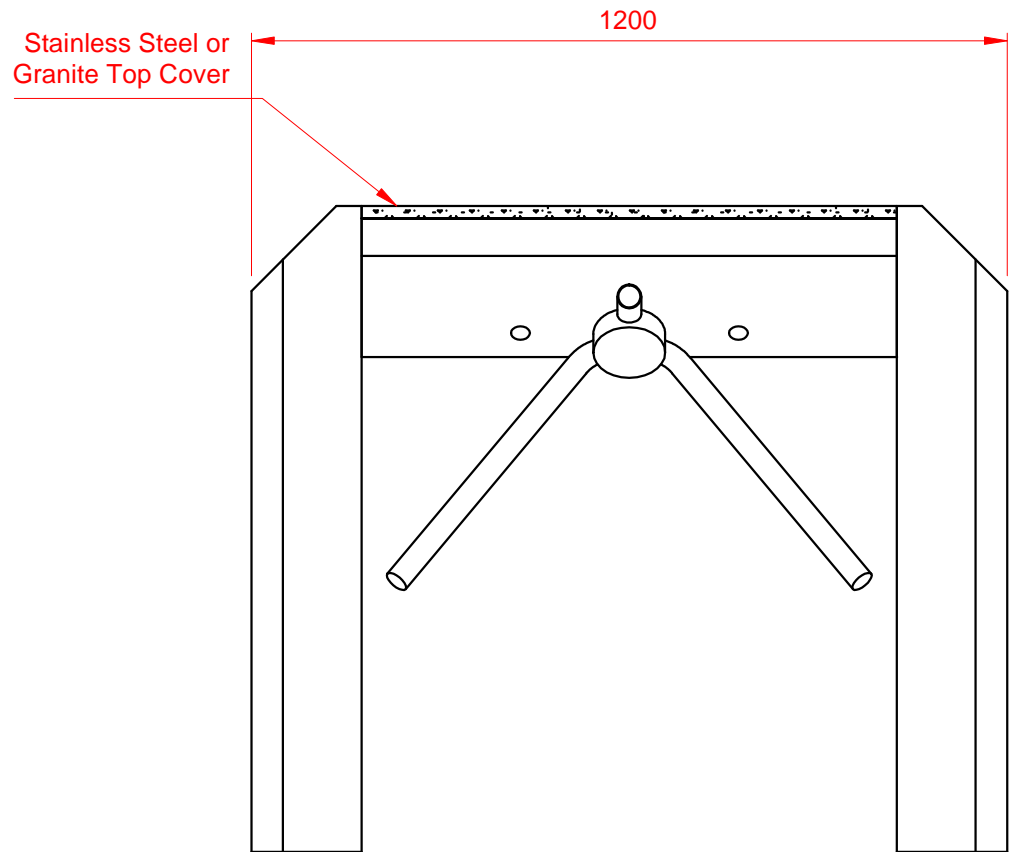


INSTALLATION REQUIREMENTS:
LEVEL FLOOR TO 5MPa STRENGTH

Area for Power & Control
220V AC, 50Hz Power
Requirement



ENTRY/ EXIT ELEVATION



SIDE ELEVATION