

TURNSTAR MAN-TRAP



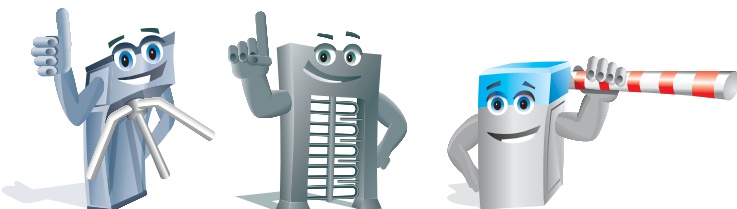
MANUAL SECURITY BOOTH



- With a wide variety of options, The TURNSTAR MAN-TRAP is the perfect solution for controlling access to any building

- Designed and manufactured to provide a durable and aesthetic access control solution
- Exported worldwide
- For heavy-duty use

APPLICATIONS	<ul style="list-style-type: none"> • Suited for applications requiring high volume access and high levels of security • Used extensively at entrances to banks, retail stores, colleges, office blocks and commercial buildings
DESIGNED FOR	<ul style="list-style-type: none"> • Interior installations • Demanding operating conditions
AVAILABLE CONFIGURATIONS	<ul style="list-style-type: none"> • Three sizes allowing for varying levels of security and comfort • Single and Double



Tridey, Turney and Traffey are members of the Turnstar family

TURNSTAR 
RELIABLE ★ DURABLE ★ GUARANTEED

Unique features of the TURNSTAR MAN-TRAP manual security booth range

- Double door security
- Designed for integration with any access control system and for various double door operating configurations

RELIABLE



TECHNOLOGY

- Direct pivot design ensures true door alignment and removes the need for clumsy, noisy hinges
- Steel frame structure and door, preventing sagging and door warping unlike aluminium doors which warp with use
- Stainless steel base bearings for longevity and corrosion resistance
- Heavy-duty hydraulic door closers
- Monitored magnetic locks
- Battery backup (optional extra)
- Infrared beam, dual occupancy presence sensors (optional extra)

DURABLE



FEATURES

Construction

- Frame of powder coated mild steel (structured finish) or 304 grade brushed stainless steel
- 430 stainless steel mirror finish ceiling panel
- 4.5mm 3Cr12 stainless steel base plate with heavy-duty rubber as floor covering
- Standard glazing of 6.38mm PVB laminated glass (bullet resistant glass available on request)
- Glass surrounds of anodised aluminium

Door components (per door)

- Heavy-duty hydraulic door closer
- Recessed 500kg monitored magnetic lock
- Mortice lock for night locking
- 304 grade brushed stainless steel pull handle

Indicators and Lighting

- LED green & red indicator lights
- Low voltage ceiling down lighter

GUARANTEED



MANUFACTURED TO LAST

- Zero maintenance
- 12 Month Guarantee



STAR QUALITIES



Welded steel frame with aluminium and glass infill



Recessed 500kg monitored magnetic lock



Stainless steel pull handle and mortice lock



LED indicator lights

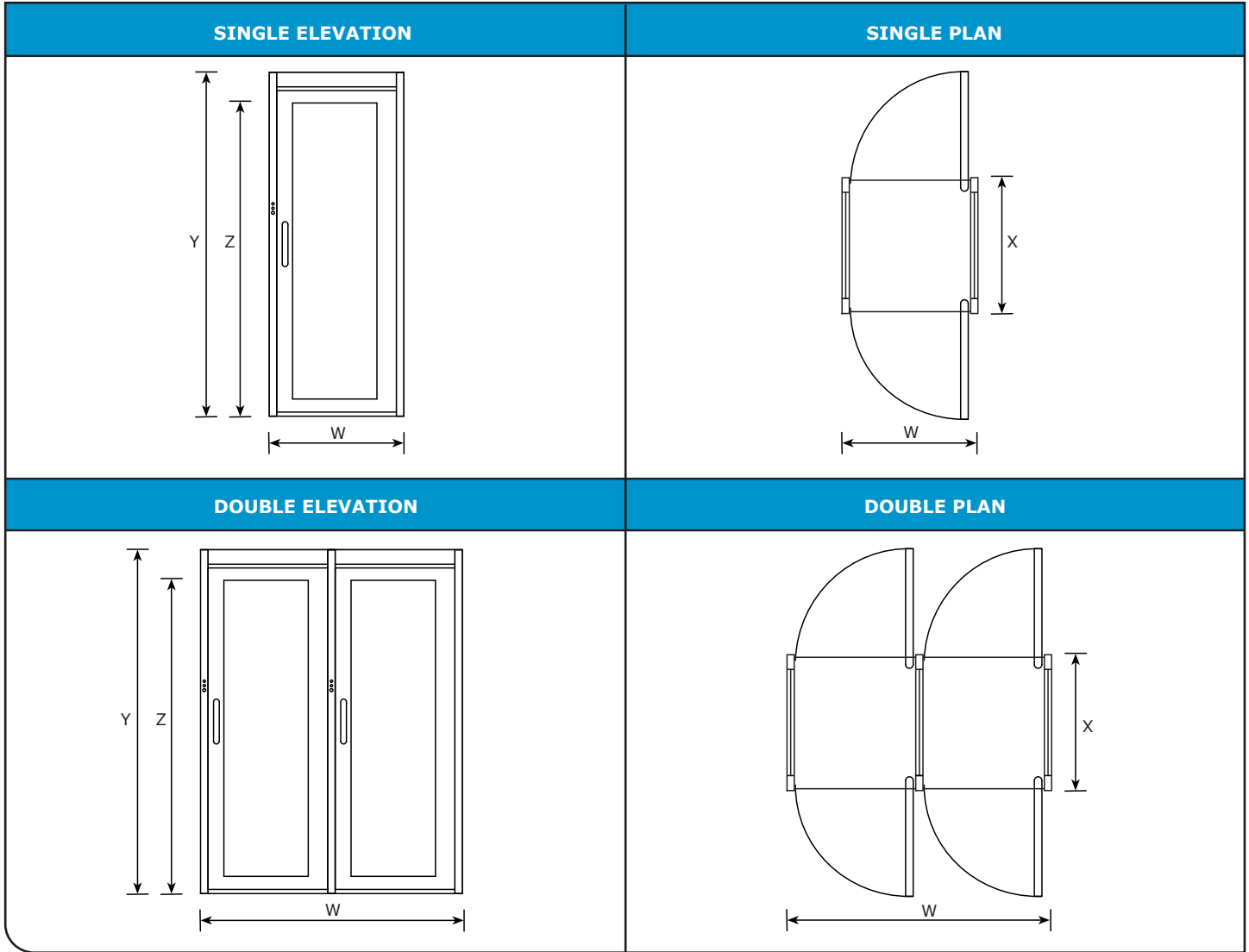
Technical Specifications

POWER	220 Volt AC (110 Volt AC on request)
FREQUENCY	50Hz / 60Hz
POWER CONSUMPTION	40W (single man-trap) / 80W (double man-trap)
DIMENSIONS AND WEIGHT	See overleaf
DESIGN	Modular bolt-together design for ease of transport and rapid installation. Components can pass through a standard door. Can be packed in broken-down form either onto a pallet or into a crate for transport. All glass is factory fitted into the steel & aluminium frames.
SYSTEMS INTEGRATION	<ul style="list-style-type: none"> Integrates with all access control and time & attendance systems (controlled through a normally open dry contact) Integral wireways – no exposed wires
FIRE ALARM	<ul style="list-style-type: none"> Fail-safe auto-unlock configuration
INSTALLATION REQUIREMENTS	<ul style="list-style-type: none"> Free standing structure which can be installed into a new or existing shopfront Fixing surface is to be level Fixed to existing floor by means of four countersunk anchor bolts (M12 x 90)

Manufacturing Options

CONTROLLER OPTIONS	CBL01	Bi-directional two reader locking controller	Complete with	<input checked="" type="checkbox"/> Internal emergency pushbutton	<input type="checkbox"/> Presence sensors
	CBL02	Bi-directional two reader locking controller	Complete with	<input type="checkbox"/> Internal emergency pushbutton	<input checked="" type="checkbox"/> Presence sensors
	CBL03	Bi-directional single reader locking controller	Complete with	<input checked="" type="checkbox"/> Two external cycle start pushbuttons	<input type="checkbox"/> Presence sensors
	CBL04	Bi-directional single reader locking controller	Complete with	<input checked="" type="checkbox"/> Two external cycle start pushbuttons	<input checked="" type="checkbox"/> Presence sensors
	CBL05	Uni-directional bank locking controller			
	CBL07	High security bank locking controller	Complete with	<input checked="" type="checkbox"/> Status control panel	<input checked="" type="checkbox"/> Presence sensors
	DUAL OCCUPANCY	<ul style="list-style-type: none"> Infrared beam dual occupancy presence sensors (optional extra) 			
POWER OPTIONS	<ul style="list-style-type: none"> Battery backup (optional extra) 				
DOOR CLOSER OPTIONS	<ul style="list-style-type: none"> Non-hold open door closer (factory standard) Hold open door closer 				
ACCESSORY OPTIONS	<ul style="list-style-type: none"> Card / Proximity reader mounting brackets Biometric / Fingerprint reader mounting brackets Single pushbutton mounted in frame of cubicle or in plastic box Random search device 				
FINISH OPTIONS	<ul style="list-style-type: none"> Mild steel with UV resistant polyester exterior powder coat finish (structured black) ★ 304 grade brushed stainless steel 316 grade brushed stainless steel ★ other structured colours available on request 				

Automatic door operation is available. See the MAN-TRAP automatic security booth product brochure.



© Turnstar Systems 2011

CODE	DESCRIPTION	WIDTH (W)	DEPTH (X)	HEIGHT (Y)	HEADROOM (Z)	WEIGHT (APPROX)
TSMT_SA	Single TURNSTAR MAN-TRAP manual security booth (A)	800	700	2 300	2 100	250 kg
TSMT_SB	Single TURNSTAR MAN-TRAP manual security booth (B)	900	900	2 300	2 100	280 kg
TSMT_SC	Single TURNSTAR MAN-TRAP manual security booth (C)	1 000	1 400	2 300	2 100	390 kg
TSMT_DA	Double TURNSTAR MAN-TRAP manual security booth (A)	1 550	700	2 300	2 100	480 kg
TSMT_DB	Double TURNSTAR MAN-TRAP manual security booth (B)	1 750	900	2 300	2 100	520 kg
TSMT_DC	Double TURNSTAR MAN-TRAP manual security booth (C)	1 950	1 400	2 300	2 100	700 kg

Note: All dimensions are in millimetres (mm)

SPECIFICATION FOR ARCHITECTS AND SPECIFIERS

TURNSTAR MAN-TRAP manual security booth (CODE as per above table), of powder coated mild steel (structured black) / 304 grade brushed stainless steel, including CBL 01/2/3/4/5/6/7 controller, fixed to level floor by means of four M12 x 90 counter sunk anchor bolts.

Due to our policy of continuous improvement, products are subject to change without notice. Custom designs are available on request.

- Sole supplier of turnstiles to the ICC Cricket World Cup 2003
- Sole supplier of turnstiles to the CAF African Cup of Nations, Ghana 2008
- Sole supplier of turnstiles to the Green Point, Soccer City, Ellis Park, Loftus Versveld, Royal Bafokeng, Bloemfontein, Nelspruit and Polokwane South African National Football Stadiums



Turnstar Systems CC Reg No 1990/011871/23
 17, 5th Street, Wynberg, Sandton, 2090, South Africa
 PO Box 41, Highlands North, 2037
 Tel 0861 TURNSTAR / TURNSTILE
 Tel +27(0)11 786 1633 / Tel +27(0)11 021 8669/70 Fax +27(0)11 440 5839
info@turnstar.co.za www.turnstar.co.za