

SPECIAL NEEDS GATE

SEMI-AUTOMATIC



- Provides controlled access and unassisted closing for any need, be it a trolley, wheelchair or baby buggy
- Exported worldwide



APPLICATIONS

- Suited for applications requiring low volume access and low levels of security
- Used extensively in applications such as office receptions, universities, health clubs, museums and libraries

DESIGNED FOR

- Interior installations and covered exterior installations
- Light operating conditions

AVAILABLE CONFIGURATIONS

- 180° opening
- Framed and frameless options

SECURITY RATING



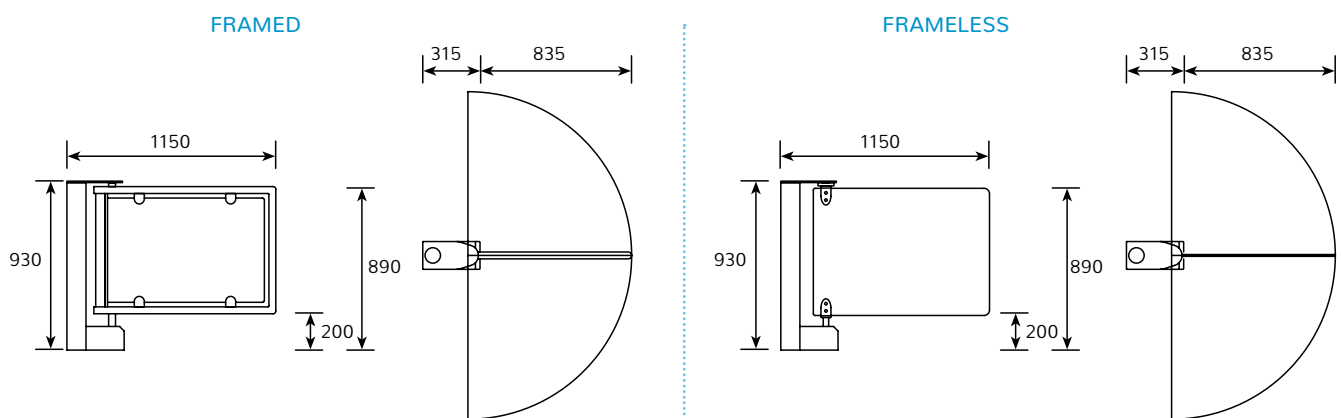
TECHNICAL SPECIFICATIONS

POWER	220 Volt AC (110 Volt AC on request)
FREQUENCY	50Hz / 60Hz
POWER CONSUMPTION	25W
CONTROLLER VOLTAGE	24 Volt DC
LOCKING MECHANISM	Solenoid operated locking mechanism
PIVOT	Self lubricating plastic bush with stainless steel pin
GATE WING	<ul style="list-style-type: none"> Framed – 38mm stainless steel tube frame with glass clamps and 6mm toughened glass infill Frameless – 10mm toughened glass
INDICATOR LIGHTS	LED indicator lights (red cross, green arrow) mounted on top of gate post
SYSTEMS INTEGRATION	<ul style="list-style-type: none"> All electronics mounted inside gate post Integrates with all access control and time & attendance systems Unlocking controlled through normally open dry contact
POWER FAILURE & FIRE ALARM	Fail-safe – the gate unlocks and can then be opened
DESCRIPTION OF OPERATION	<ul style="list-style-type: none"> Gate is triggered either by means of a pushbutton, remote control or access control reader LED red cross changes to a green arrow - the gate is now unlocked Gate can either be pushed or pulled open Gate closes automatically and relocks LED red cross is reinstated

MANUFACTURING OPTIONS

DOOR CLOSER	<ul style="list-style-type: none"> Hold open floor spring door closer (holds gate open in the 90° position) - factory standard Non-hold open floor spring door closer (option)
POWER FAILURE OPERATION	Battery backup with two 12 volt 7Ah batteries connected in series (option)
FINISH OPTIONS	<ul style="list-style-type: none"> 304 grade brushed stainless steel 316 grade brushed stainless steel ▲ <p>▲ Suitable for corrosive environments (details available on request)</p>

SPECIAL NEEDS GATE RANGE



© Turnstar Systems



info@turnstar.co.za | www.turnstar.co.za

Turnstar Systems (Pty) Ltd | Reg No: 2012/100536/07 | Established in 1990

JHB FACTORY
18 6th Street, Wynberg,
Sandton, 2090
T: +27 (0)11 786 1633
F: +27 (0)11 440 5839

CAPE BRANCH
Unit 9 Elect Park,
13 Teejay Road, Brackenfell,
Cape Town, 7560
T: +27 (0)21 981 3043

KZN BRANCH
Unit 5 - 7 Amatuli Industrial Park,
5 - 7 Eagle Road, Shaka's Head,
Umhlali, Kwazulu-Natal, 4420
T: +27 (0)32 947 0391

POSTAL ADDRESS
PO Box 41,
Highlands North,
2037



ISO 9001:2015