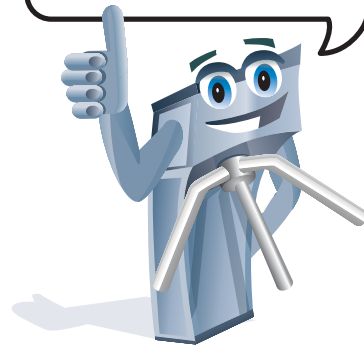


TURNSTAR

SPEEDGATE SECURE



The full package



Tridey™ is a member of the Turnstar family

- The **SPEEDGATE SECURE** offers both security and aesthetics all in one stylish product
- Ultra high speed access with seamlessly integrated motor drive technology
- The most sophisticated product of its type in Africa
- Exported worldwide

| | |
|---------------------------------|---|
| APPLICATIONS | <ul style="list-style-type: none">• Suited for applications requiring ultra high speed access and high levels of security• Used extensively in applications such as office receptions, airports, universities, health clubs and railways |
| DESIGNED FOR | <ul style="list-style-type: none">• Interior and covered exterior installations• Severe operating conditions |
| AVAILABLE CONFIGURATIONS | <ul style="list-style-type: none">• 1 800mm high and 1 200mm high glass options• Narrow lane (550mm) and wide lane (900mm) - suitable for special needs access such as wheelchairs• Single lane, double lane and multiple lane configurations |



Turney™ and Traffey™ are members of the Turnstar family

TURNSTAR 
RELIABLE ★ DURABLE ★ GUARANTEED

Unique features of the SPEEDGATE SECURE

- Designed by professional engineers
- Cutting edge technology used in both the design and manufacture

RELIABLE



TECHNOLOGY

- Ultra-heavy-duty high speed motor drive and gearbox
- Built-in intelligent PLC controller
- Motion detection sensor array – dynamic following of the pedestrian through the Speedgate Secure
- Highly sophisticated anti-tamper detection
 - Tailgating
 - Unauthorised direction
- Safety - a series of detectors are used to prevent closing when a person or object is in the closing envelope

DURABLE



FEATURES

Cabinet

- 304 grade brushed stainless steel
- 3D designed and precision laser cut components
- Hand-made with expert welding and polishing
- Recess with polycarbonate infill for concealed reader mounting (option)
- LED lane status and direction indicator lights
- 10mm CNC toughened glass fixed panels

Glass wing

- 10mm CNC toughened glass moving panels
- Approximated linear motion - no tracks which are prone to wear

GUARANTEED



MANUFACTURED TO LAST

- 3 year mechanical guarantee
- 1 year electrical guarantee



SPEEDGATE RANGE



SPEEDGATE EXPRESS



SPEEDGATE MOTION



SPEEDGATE KINETIC

Technical Specifications

| | | |
|-----------------------------------|---|----------|
| POWER | 220 Volt AC (110 Volt AC on request) | |
| FREQUENCY | 50Hz / 60Hz | |
| POWER CONSUMPTION | 300W per lane | |
| POWER FAILURE OPERATION | The glass wings can be moved into the cabinet to allow free access UPS can be supplied in order to power the Speedgate Secure and to open the glass wings until power is restored | |
| FIRE ALARM OPERATION | Trigger can activate barriers to remain in the open position for free access | |
| SYSTEMS INTEGRATION | Integrates with all access control and time & attendance systems | |
| OPERATING CYCLE TIME | Open | 1 second |
| | Close | |
| TAMPER ALARM | <ul style="list-style-type: none"> • Electronic output for a building security alert, e.g. to lock doors or activate CCTV • LED lights show red cross • Internal buzzer sounds | |
| STANDARD OPERATIONAL MODES | <ul style="list-style-type: none"> • Entry and exit • Entry only • Exit only | |



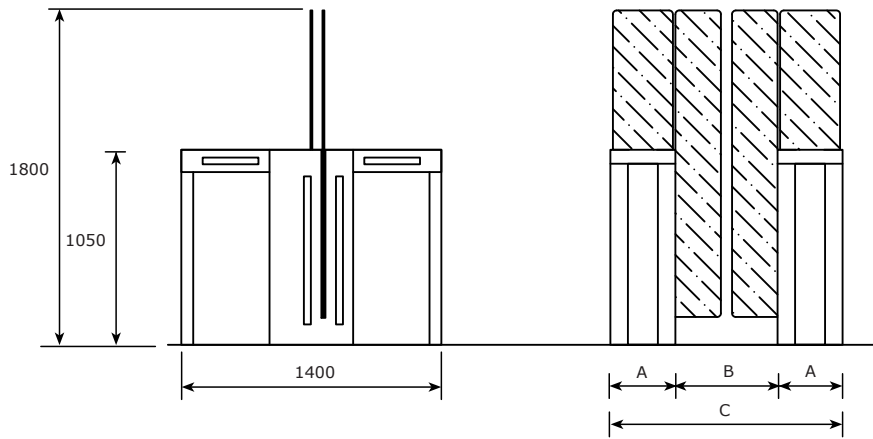
STAR INSTALLATIONS



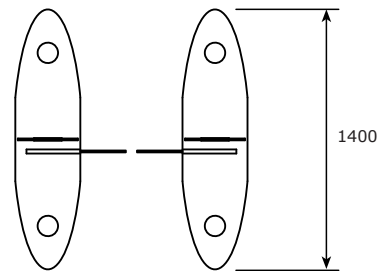


SPEEDGATE SECURE RANGE

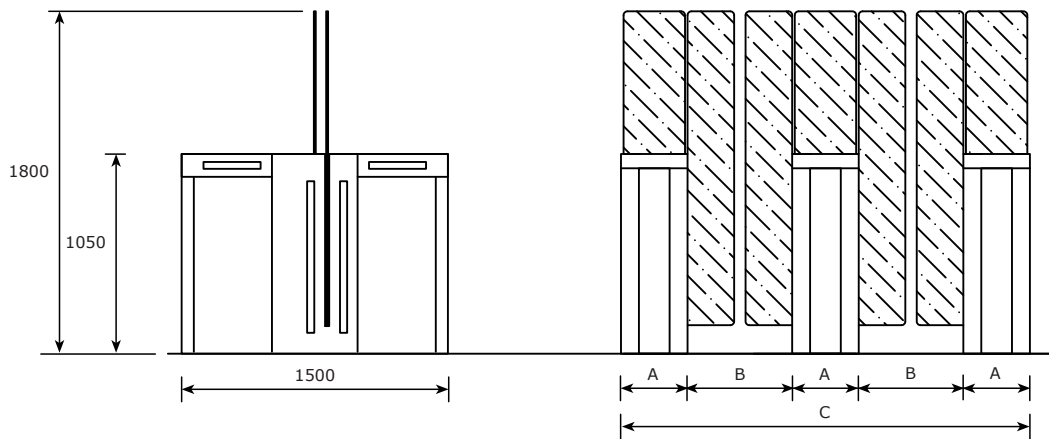
SPEEDGATE SECURE SINGLE LANE



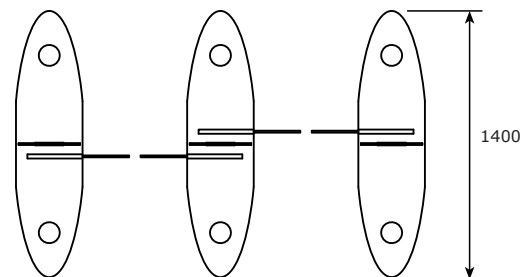
| LANE CONFIGURATION | A | B | C |
|-----------------------|-----|-----|------|
| STANDARD LANE (550MM) | 350 | 550 | 1250 |
| WIDE LANE (900MM) | 550 | 900 | 2000 |



SPEEDGATE SECURE DOUBLE LANE



| LANE CONFIGURATION | A | B | C |
|-----------------------|-----|-----|------|
| STANDARD LANE (550MM) | 350 | 550 | 2150 |
| WIDE LANE (900MM) | 550 | 900 | 3450 |



- Sole supplier of turnstiles to the ICC Cricket World Cup 2003
- Sole supplier of turnstiles to the CAF African Cup of Nations, Ghana 2008
- Sole supplier of turnstiles to the Green Point, Soccer City, Ellis Park, Loftus Versveld, Royal Bafokeng, Bloemfontein, Nelspruit and Polokwane South African National Football Stadiums

Turnstar Systems (Pty) Ltd Reg No: 2012/100536/07 ESTABLISHED IN 1990
 Johannesburg Head Office: 18 6th Street, Wynberg, Sandton, 2090
 PO Box 41, Highlands North, 2037
 T: +27 (0)11 786 1633 / +27 (0)11 021 8669/70 F: +27 (0)11 440 5839
 Cape Town Office: Unit 1, 13 Patrys Crescent, Brakenfell T: +27 (0)21 981 3043
info@turnstar.co.za www.turnstar.co.za