

## PULSE

### AUTOMATIC GATE



- Provides controlled access and unassisted opening and closing for any need, be it trolley, wheelchair or baby buggy
- Automatic glass wing which does the work for you
- Incorporating BLDC motor drive technology
- Exported worldwide

#### APPLICATIONS

- Suited for applications requiring medium volume access and low levels of security
- Used extensively in applications such as office receptions, commercial buildings, health clubs and public buildings

#### DESIGNED FOR

- Interior and exterior installations

#### AVAILABLE CONFIGURATIONS

- 180° opening
- Frameless toughened safety glass wing
- Stainless steel frame wing with horizontals



# UNIQUE FEATURES OF THE PULSE AUTOMATIC GATE

- Designed by professional engineers
- Cutting edge motor drive technology

## RELIABLE TECHNOLOGY

- Ultra reliable BLDC motor drive with planetary gearbox
- Tooth clutch for effective locking

## DURABLE FEATURES

- **UPRIGHT POST** | 140mm diameter 304 grade brushed stainless steel
- **WING OPTIONS** | 8mm CNC toughened glass  
| 38mm diameter stainless steel frame with 25mm diameter horizontals

## GUARANTEED MANUFACTURED TO LAST

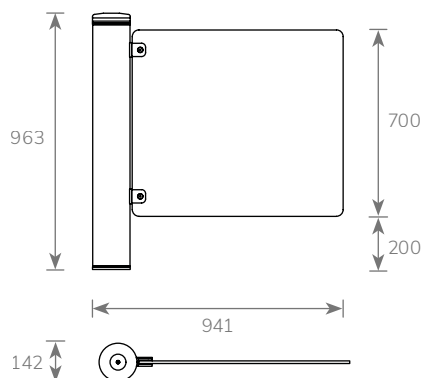
- 12 month guarantee

## TECHNICAL SPECIFICATIONS

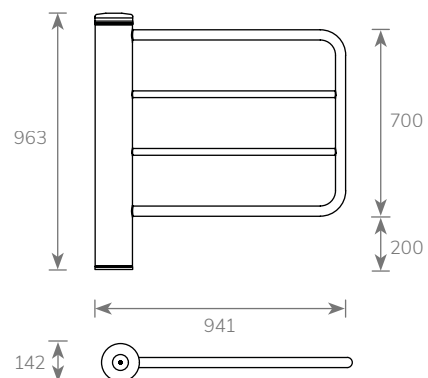
POWER	100V - 240V AC ±10% at 50Hz	
OPERATING VOLTAGE	24 Volt DC	
COLLISION DETECTION	Current sensing	
POWER FAILURE OPERATION	The glass wing can be easily be turned by hand	
FIRE ALARM OPERATION	Trigger allows automatic opening in desired direction	
SYSTEMS INTEGRATION	Integrates with all access control and time & attendance systems	
CONTROL UNIT AND PSU	Supplied in gate upright post (no separate box)	
TRIGGER OPTIONS	Trigger to open - timeout to close (15 seconds)	Trigger to open - trigger to close

## PULSE AUTOMATIC GATE RANGE

### FRAMELESS



### STAINLESS STEEL FRAME



© Turnstar Systems

**JOHANNESBURG**  
HEAD OFFICE AND FACTORY  
☎ +27 (0)11 786 1633

**WESTERN CAPE**  
BRANCH  
☎ +27 (0)21 981 3043  
📠 +27 (0)82 417 7408

**KWAZULU NATAL**  
BRANCH  
☎ +27 (0)32 947 0391  
📠 +27 (0)76 589 3410

**BOLTON, UNITED KINGDOM**  
BRANCH  
☎ +44 (0)161 706 1760  
📠 +44 (0)7938 684 484