

GEARED MOTOR

BLDC TORQUE MOTOR



- Manufacture your own access control products
- Only high quality steel and aluminium
- Brushless DC motor and controller solution
- Collision detection and soft stop
- Up to 1 500 operations on battery backup (battery, barrier length and design dependent)
- Exported worldwide



ENERGY EFFICIENT
BLDC TECHNOLOGY

APPLICATIONS

- Vehicle barriers / Boomgates
- Drop arm barriers
- Speedgates
- Bi-folding gates
- Any application requiring a simple, reliable and robust drive solution

KEY FEATURES

- 12V BLDC
- Maintenance free
- Speed and torque control available
- Robust extruded housing with mounting feet
- No need for an inverter
- Collision detection and accurate position monitoring
- Aluminium link arm for shaft coupling (90mm standard, 80mm and 60mm also available)
- Steel cast link arm for shaft coupling (90mm)

ALSO AVAILABLE

Vehicle barrier / Boomgate controller, mechanism mounting plate, rubber buffers, linkages and springs

MOTOR SPECIFICATIONS

TYPE	BLDC
VOLTAGE	12 - 24 VDC
CURRENT	3.3 Amp
POWER	40 Watts (280 Watts max.)
DUTY CYCLE	100% rated for continuous non-stop operation
MOUNTING	Foot
OPERATING TEMPERATURE	-20°C - +60°C
IP RATING	40
COLLISION DETECTION	Motor embedded hall sensors and current

MOTOR CONSTRUCTION

HOUSING	Extruded and machined aluminium
GEARS	Machined steel
BEARINGS	FAG / NSK brand

DIMENSIONS

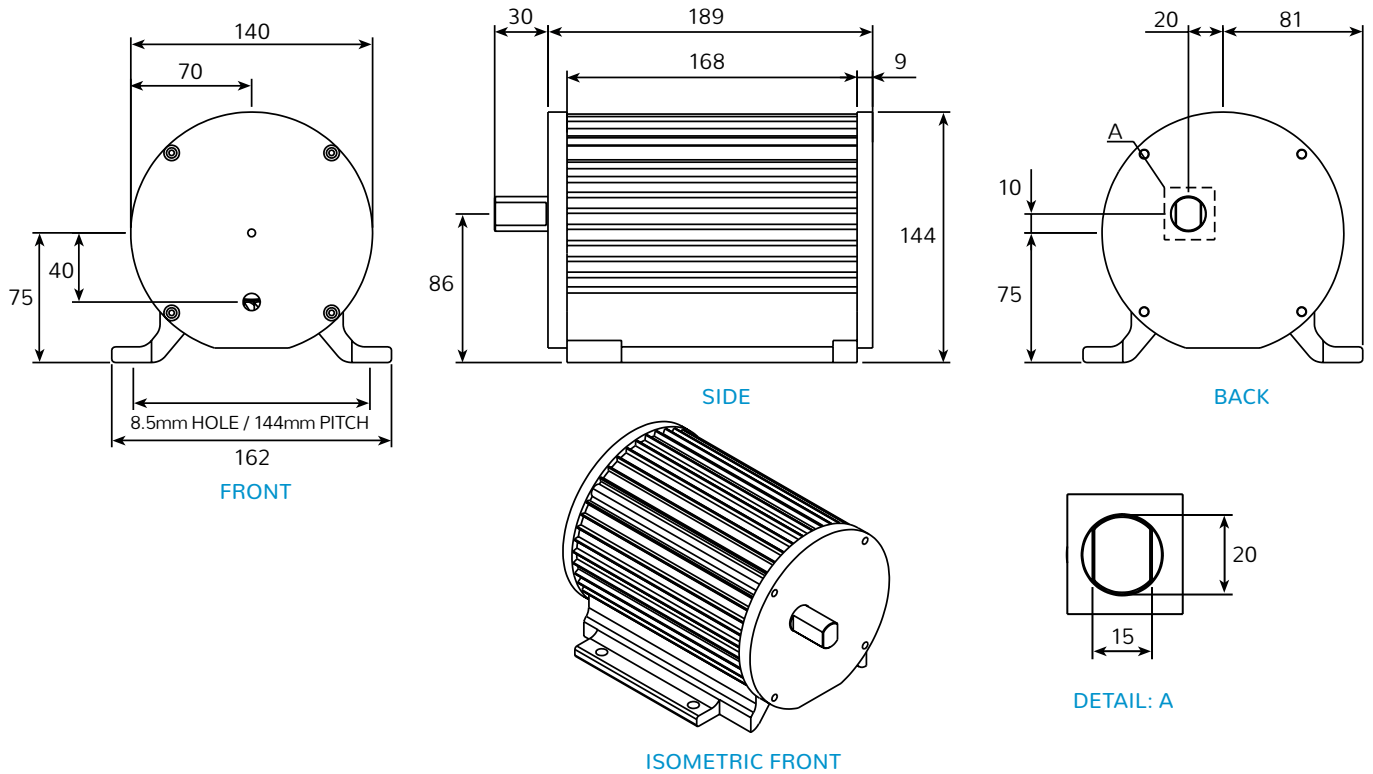
LENGTH	189.0mm (excluding output shaft)
SHAFT LENGTH	30.0mm
WIDTH (FOOT MOUNTING)	162.0mm
DIAMETER	140.0mm
HEIGHT	144.0mm (from base of foot)
SHAFT HEIGHT	85.0mm (from base of foot)
WEIGHT	7kg

CODE	DESCRIPTION	SPEED	TORQUE
BLDC0500	12V BLDC torque motor 5 rpm	5 rpm	68 nm
BLDC0700	12V BLDC torque motor 7 rpm	7 rpm	40 nm
BLDC0900	12V BLDC torque motor 9 rpm	9 rpm	35 nm
BLDC0950	12V BLDC torque motor 9.5 rpm	9.5 rpm	30 nm
BLDC0130	12V BLDC torque motor 13 rpm	13 rpm	22 nm
BLDC0200	12V BLDC torque motor 20 rpm	20 rpm	15 nm

Additional speeds of up to 35 rpm are available on request



BLDC TORQUE MOTOR



ACCESSORIES FOR TORQUE MOTOR

1. LINK ARM

Aluminium link arm for shaft coupling (90mm standard, 80mm and 60mm also available)
Steel cast link arm for shaft coupling (90mm)

2. RUBBER BUFFER

M10 rubber buffer for up and down limits

3. CONTROLLER FOR A VEHICLE BARRIER / BOOMGATE: BL103B LOGIC AND LOOP DETECTOR

See separate brochure for the BL103B combined logic and loop detector

4. SPIKE BARRIER LOGIC CONTROL BOARD

Dual motor controller with plug in loop detector



TURNSTAR
RELIABLE ★ DURABLE ★ GUARANTEED

info@turnstar.co.za | www.turnstar.co.za

Turnstar Systems (Pty) Ltd | Reg No: 2012/100536/07 | Established in 1990

JHB FACTORY

18 6th Street, Wynberg,
Sandton, 2090
T: +27 (0)11 786 1633
F: +27 (0)11 440 5839

CAPE BRANCH

Unit 9 Elect Park,
13 Teejay Road, Brackenfell,
Cape Town, 7560
T: +27 (0)21 981 3043

KZN BRANCH

Unit 5 - 7 Amatuli Industrial Park,
5 - 7 Eagle Road, Shaka's Head,
Umhlangi, Kwazulu-Natal, 4420
T: +27 (0)32 947 0391

POSTAL ADDRESS

PO Box 41,
Highlands North,
2037



ISO 9001:2015